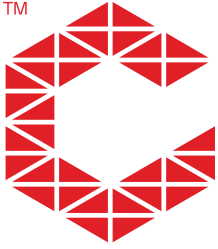
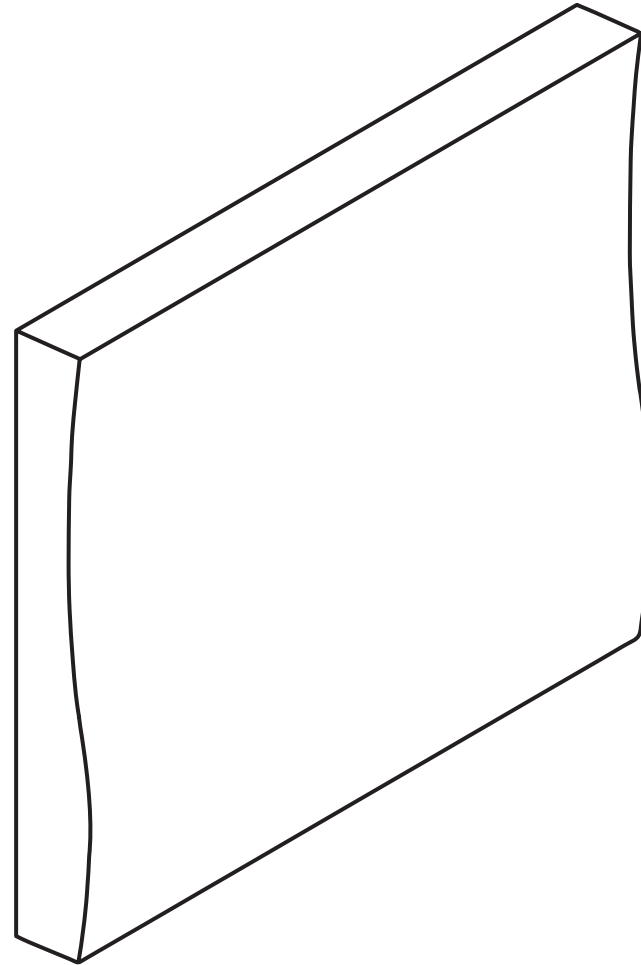


TM



3D Acoustic Wall & Ceiling Tiles

Installation Manual



Cleaning and Maintenance

3D acoustic tiles are easy to maintain.

- » They can be vacuum cleaned with a furniture nozzle.
- » The panels can be removed for cleaning.
- » The wall-side of the adhesive tape will remain to the wall while cleaning.
- » Stains can be cleaned with damp cloth.
- » Mild cleanser liquid meant for synthetic fibers is suitable.

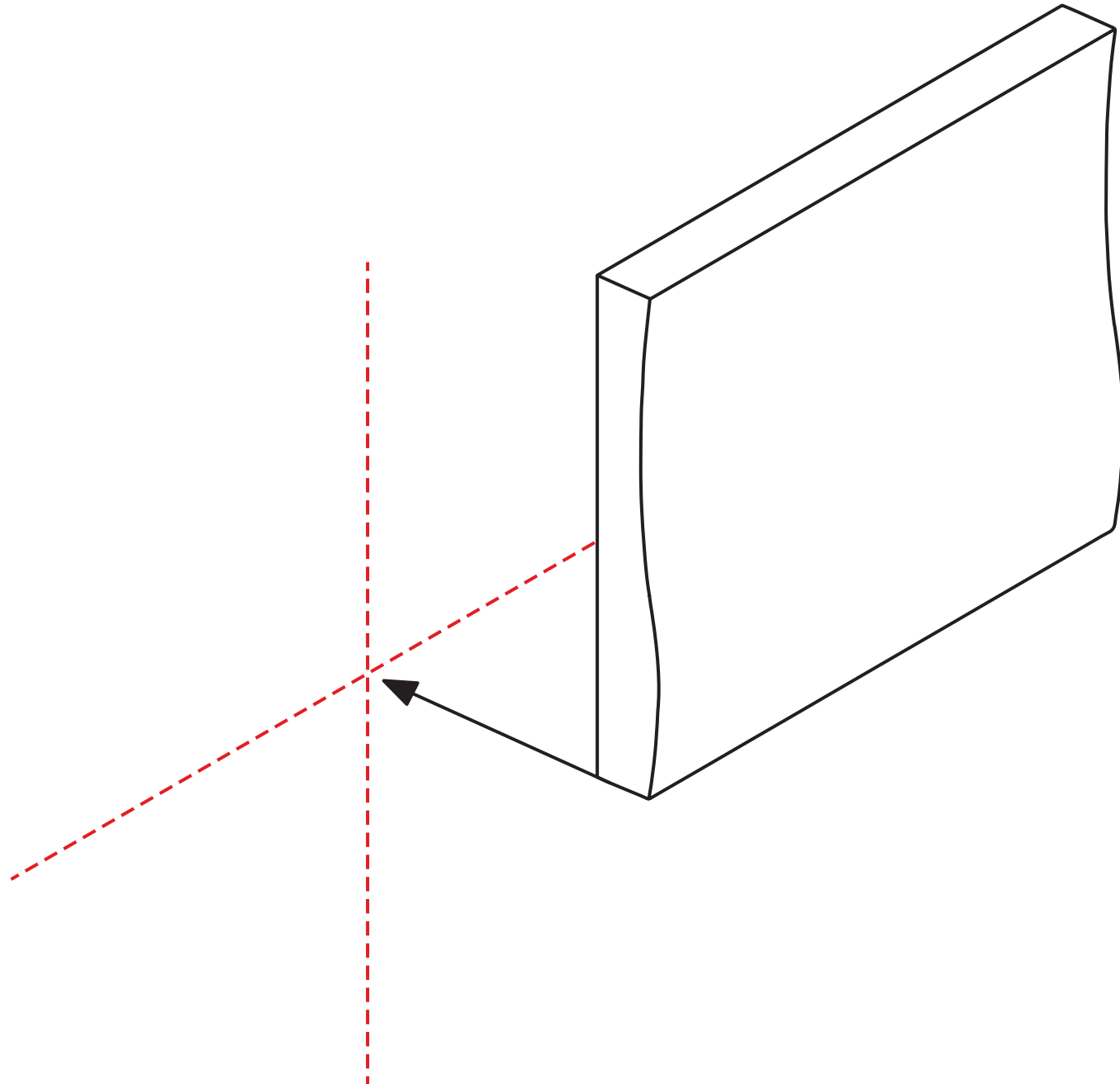
»
Before installing your 3D tiles, please check the following;

1. The wall must be even and smooth. For uneven surfaces installation with screws is recommended.
2. Push each corner of the panel firmly against the wall. Make sure that the adhesive tapes have attached tightly against the wall also from the edges.
3. Before installing, clean the wall properly from dust.
4. Be aware that the full bond of the adhesive is reached in 24 hours.

A pencil and measuring
tape are the only tools
required.

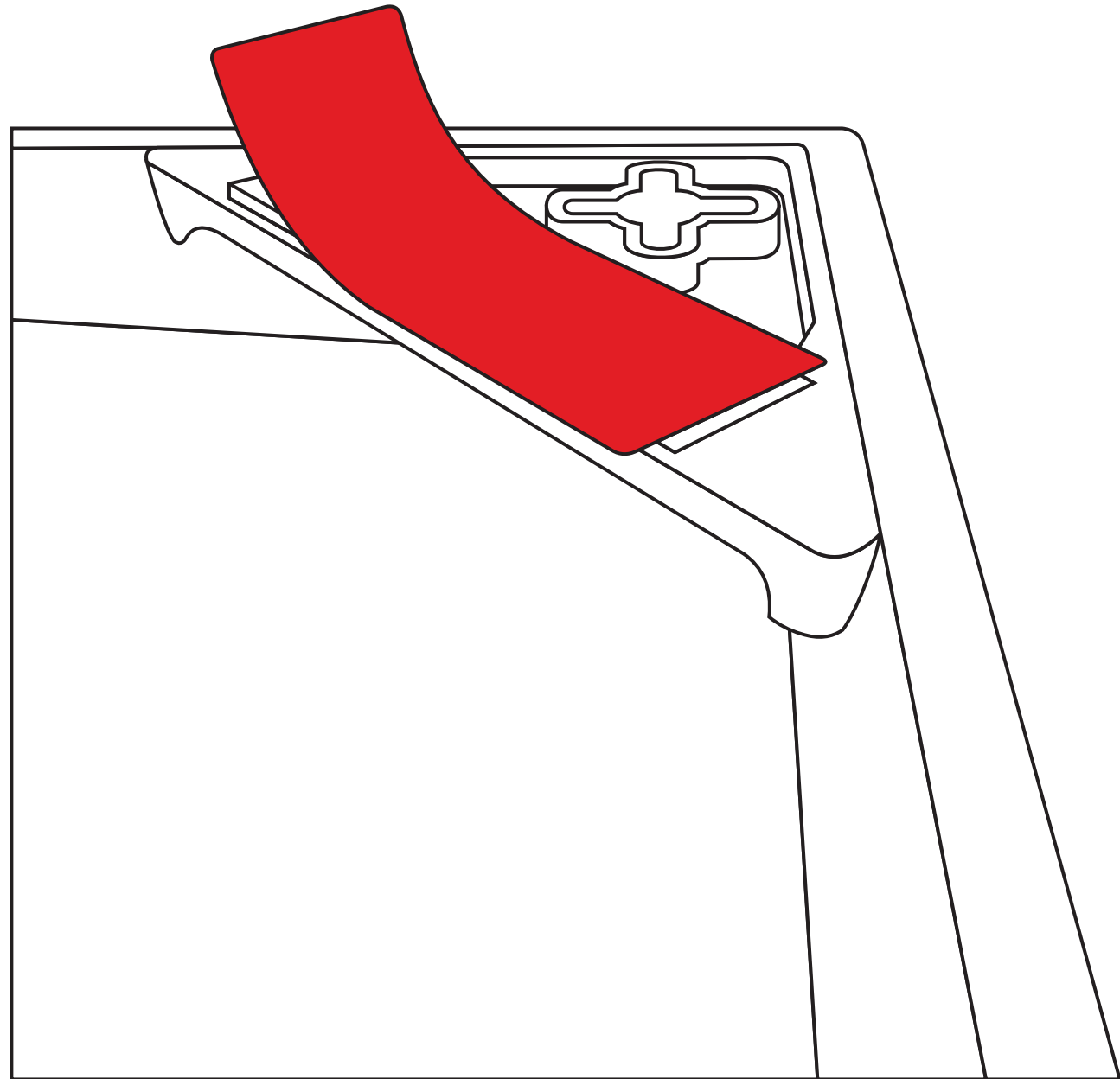
Prepare the layout for
your panels. Mark the
horizontal and vertical
lines to help align
the panels.

Please note: The panels
can also be installed
with screws.



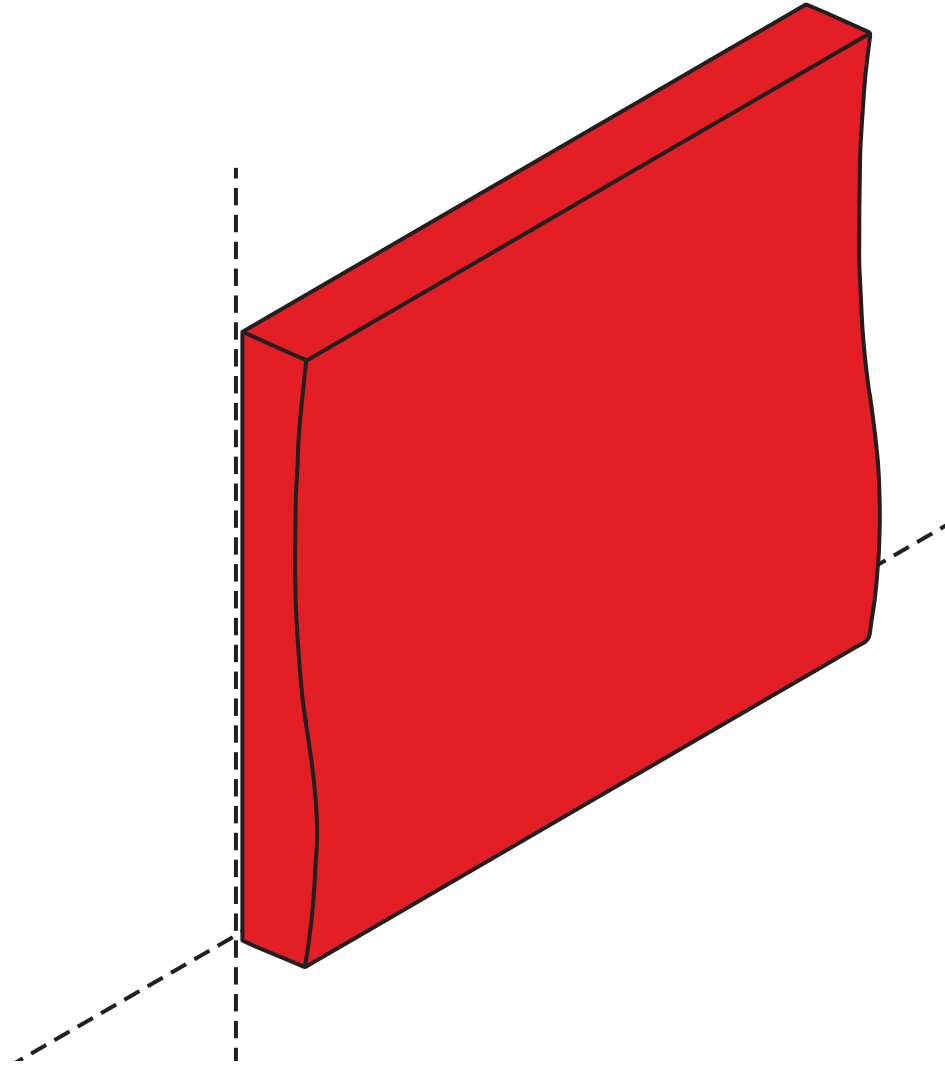
Step 2

Remove the protective
papers of the tape.



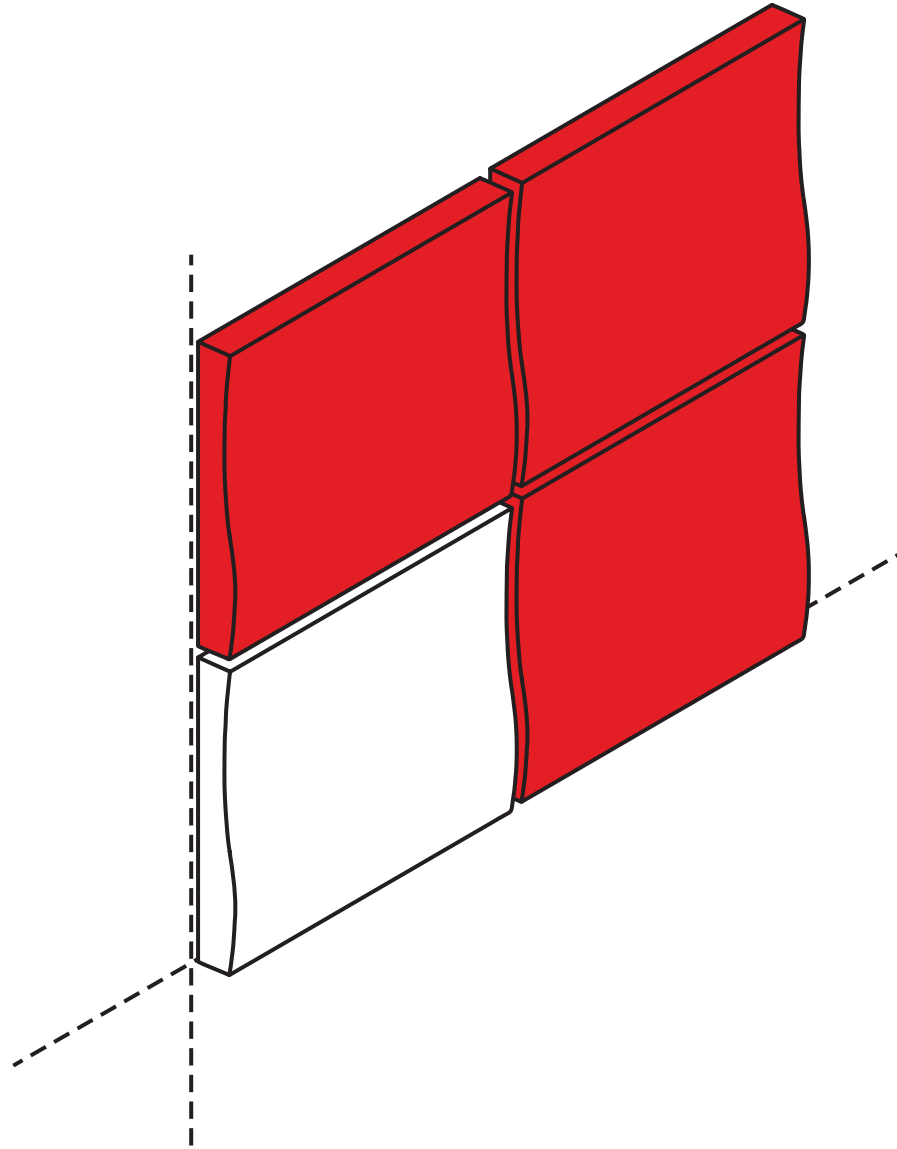
Step 3

Align the first panel
with horizontal and
vertical lines and press
it firmly to the wall
for 5-10 seconds.



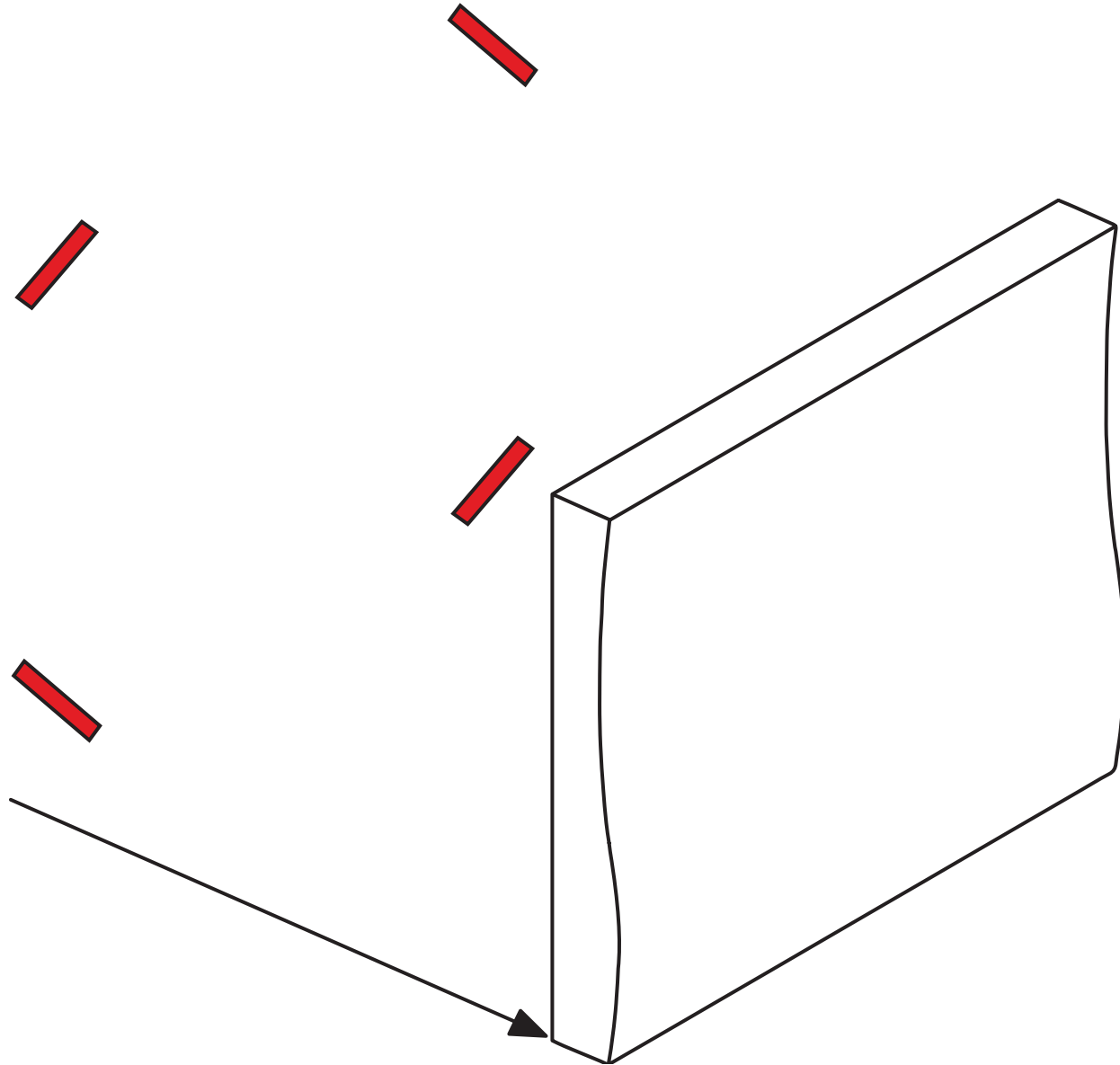
Install the rest of the panels.

A gap of 0-5 cm can be left between the panels without changing the acoustic effect.



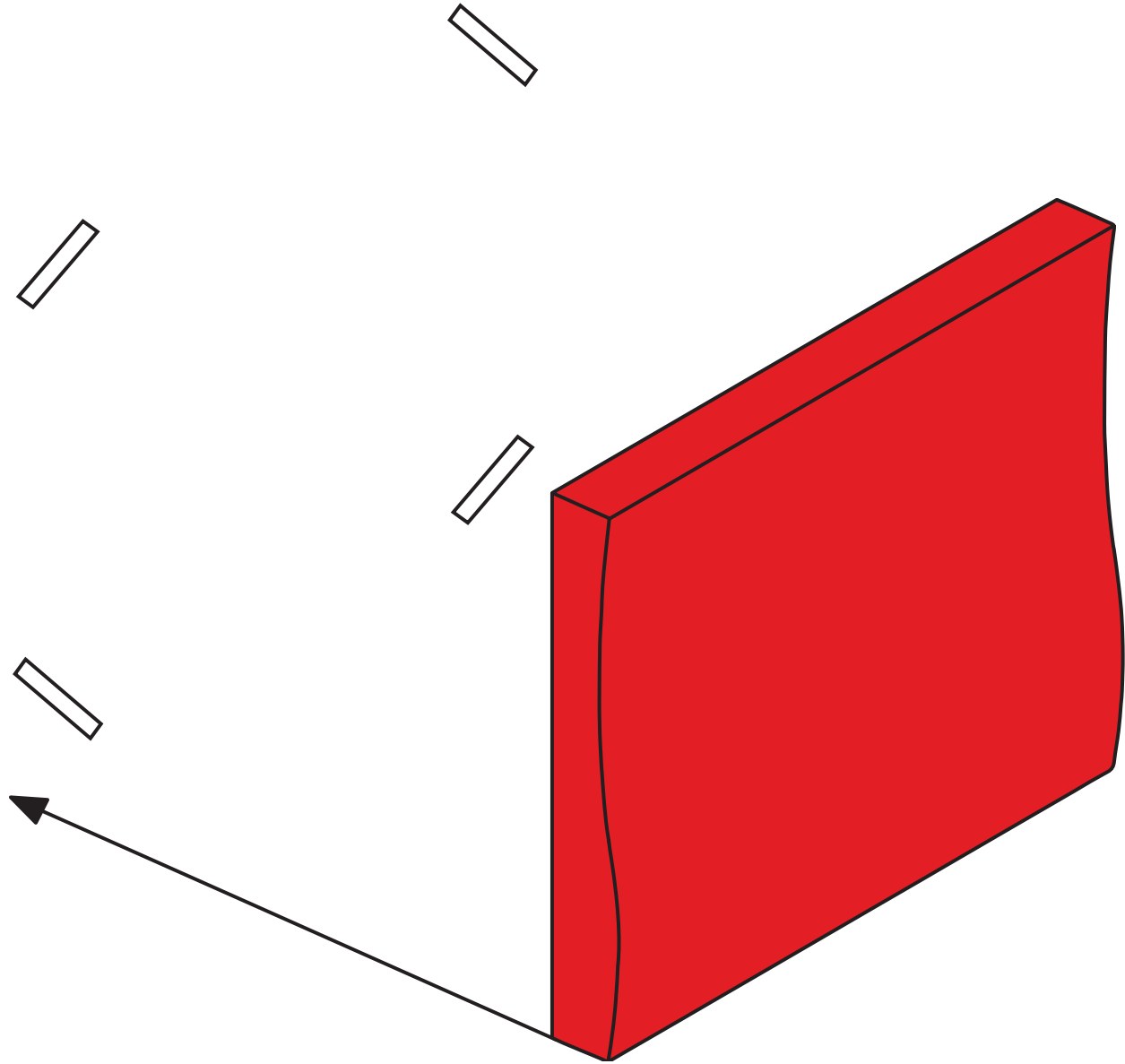
Take the panels off one by one. Press the wall tapes firmly against the wall – this is to ensure the velcro fasteners are firmly attached to the wall.

Minimum temperature
+15 degrees.



Step 6

After ensuring the velcro fasteners are firmly attached to the wall, re-attach each panel.



CONTACT

Creatif head office
Unit 2, National Road
Business Park, Hunslet,
Leeds, LS10 1TE
T. +44 (0) 113 270 1239
F. +44 (0) 113.239.1672
E. sales@creatif.org.uk

London showroom
79 Clerkenwell Road
London, EC1R 5AR
designhubclerkenwell.co.uk

www.creatif.org.uk

